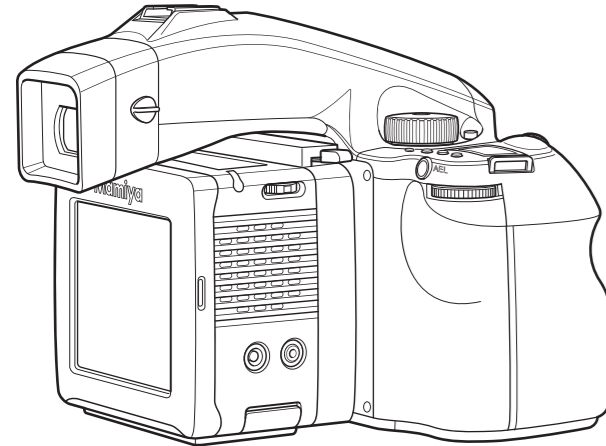


mamiya

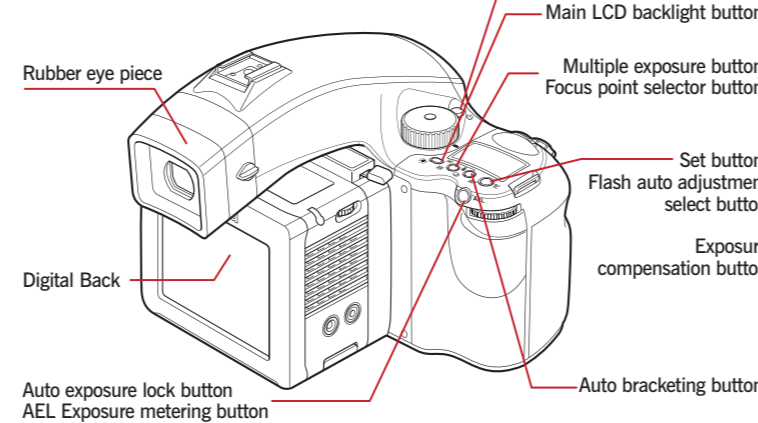
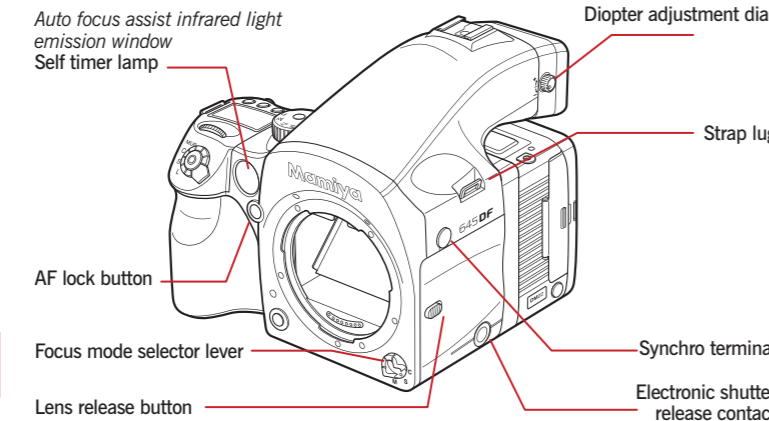
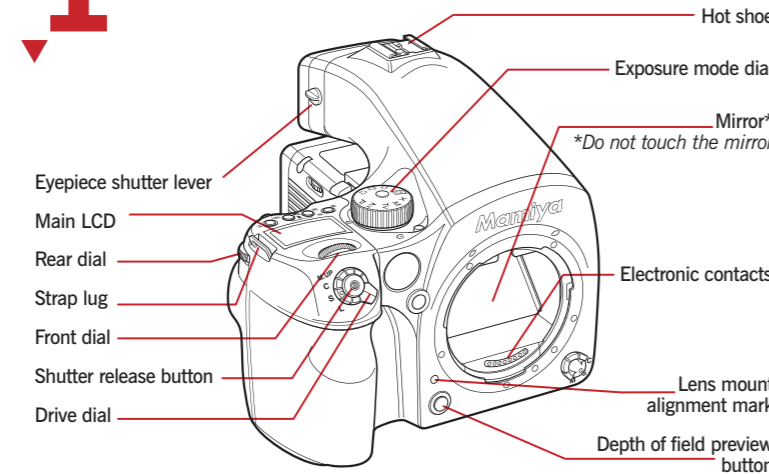
Mamiya DM System Quick Start Guide



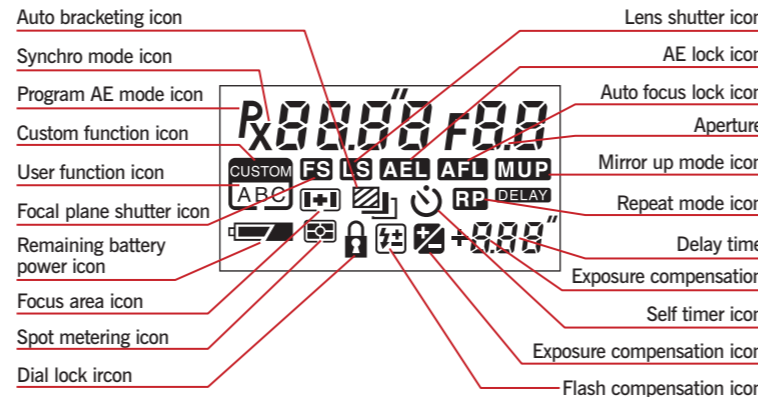
- This Quick Start Guide shows the basic operations of your new Mamiya DM System
- Download the Mamiya DM System User's Manual for advanced operations of the camera, digital back and software

www.mamiya.com ■ www.phaseone.com

1 OVERVIEW



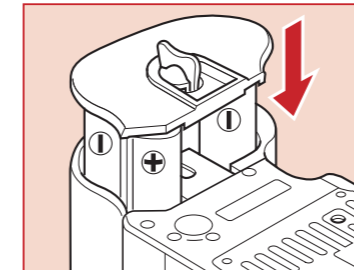
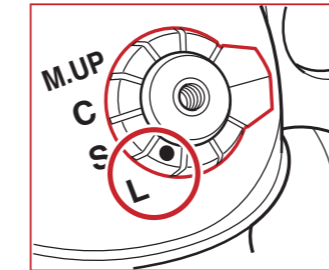
Liquid Crystal Displays (LCD) - Main LCD



2 BEFORE YOU START

1. Attach Camera Battery

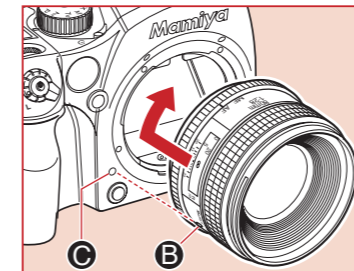
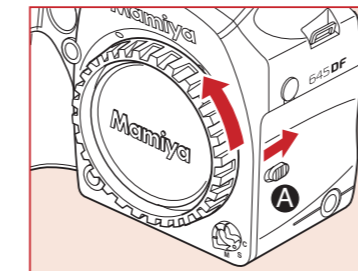
Ensure the drive dial is set to L (off). Lift the battery case and pull out the battery holder. Check batteries are installed then return the battery holder and lock it.



2. Attach and Remove a Lens

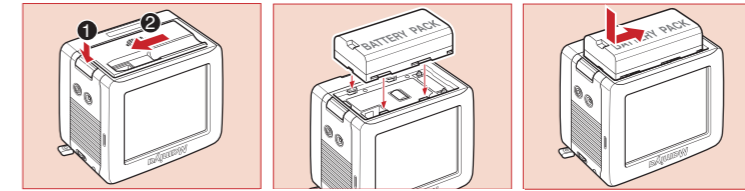
Remove the front body cap, just like you would remove a lens, by pushing the lens release button **A** backward and then turn the front body cap counter clockwise and lift out.

Line up the lens mount alignment mark **B** with mark **C** on the camera to fit the lens in place, then rotate it in the direction of the arrow until it clicks into place.



3. Attach Digital Back Battery

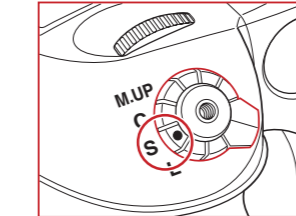
Remove the battery slot cover and slide the battery into the battery bay on the bottom of the digital back



3 GET STARTED

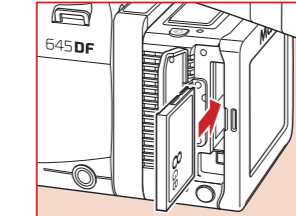
1. Turn on the Camera

Switch the drive dial to "S". Choose your preferred exposure mode using the exposure mode dial.



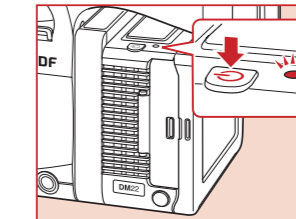
2. Insert and Format the Compact Flash card

Insert the Compact Flash card and format according to the Mamiya DM User's Manual



3. Turn on the Digital Back

Press and hold the On/Off button on the camera back until the orange light turns on, and then release the On/Off button.

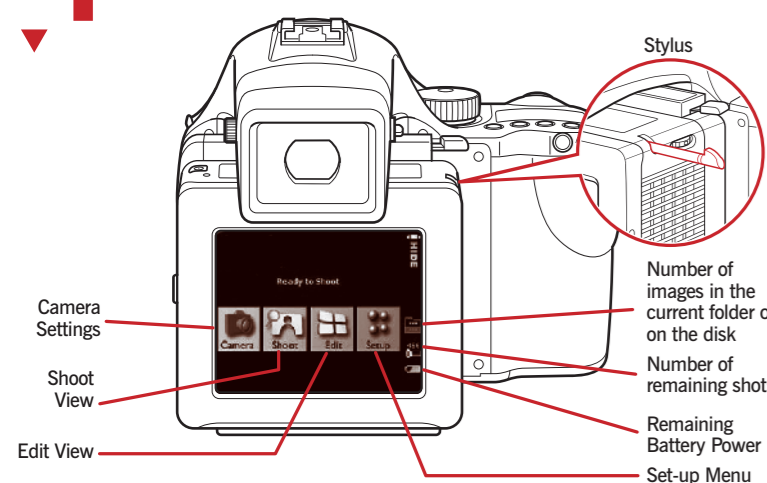


www.mamiya.com

mamiya

mamiya

4 SCREEN AND MENU BUTTONS



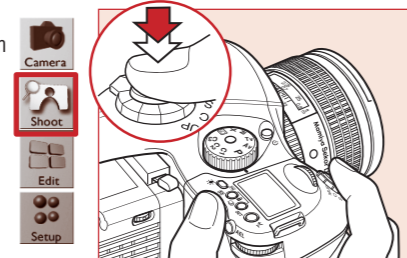
5 SET UP DIGITAL BACK

1. Select your interface language
2. Set the Date and Time
3. View and define camera settings



6 TAKE A SHOT

Press the release button a start shooting



7 EVALUATE YOUR SHOT

1. Check exposure with the Picker tool
2. Check exposure with the Over-exposure and Under-exposure alarms



3. Check focus
4. Set grey balance
5. View information

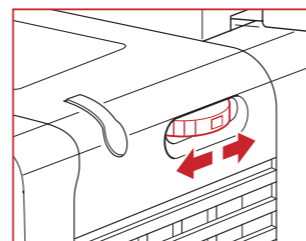


8 EDIT YOUR IMAGES

1. Browse through your images



2. Roll the User Dial back and forward to browse through your images



9 SET UP SOFTWARE

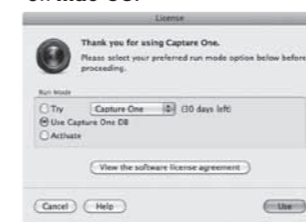
Capture One DB

Capture One DB software allows you to further optimize images using highly advanced tools and quality to match any photographer's daily workflow, whether tethered or untethered.

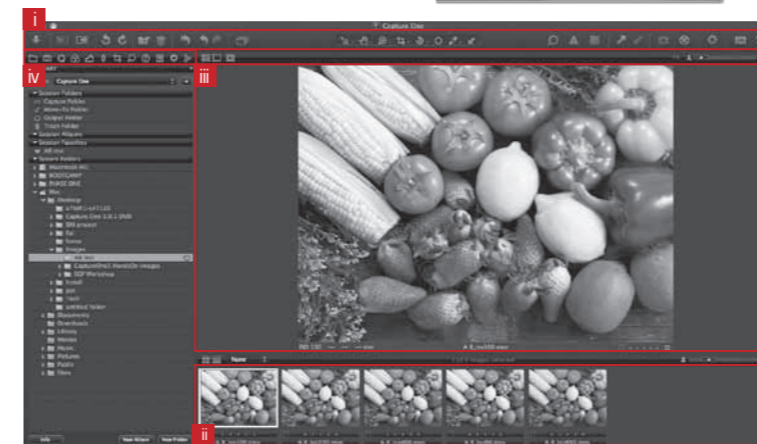
Download Capture One DB software:
www.phaseone.com

- Screen shots for **MAC** and **Windows** Capture One DB license page

On Mac OS:



On Window OS:



The user interface consists of four key sections:

- The Menu and Tool Bar** providing structured access to functions found throughout the application.
- The Browser** providing different views of images thumbnails, different possibilities for rating, naming sorting and more.
- The Viewer** providing a high quality rendition on the selected image, all changes made to the image will instantly show.
- The Tool Tabs** giving you access to all the core tools you need to edit your images, such as color balance, exposure, sharpness etc.

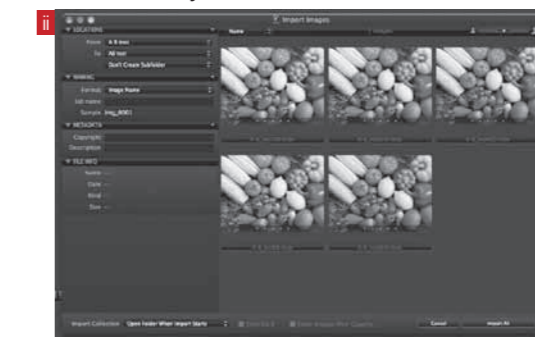
10 WORKFLOW

1. Browse or Import Images

- To import raw images into Capture One from anywhere on your computer, select the library tool tab.

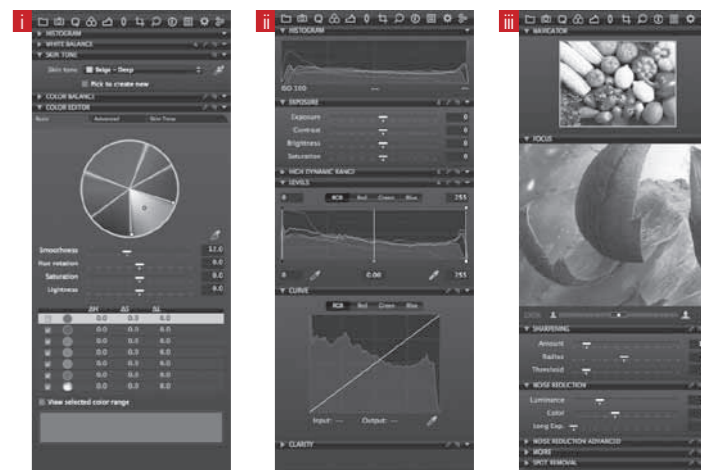


- When importing raw images from a Compact Flash card, Capture One will open the import window automatically.



2. Adjustment

- Adjust images by using
- White balance, Color edit etc in Color tab.
 - Exposure controls, Level adjustment in Exposure tab.
 - Sharpness and details effects in Focus tab.



3. Process

- Select the output tab, defining format, resolution and naming conventions. After this hit 'Process' and your modified images will be saved.

